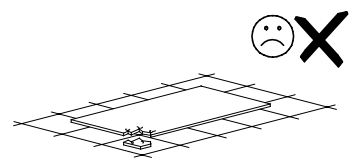
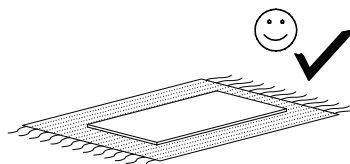
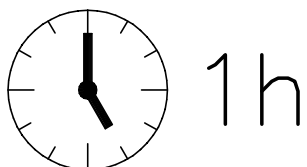
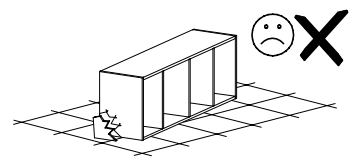
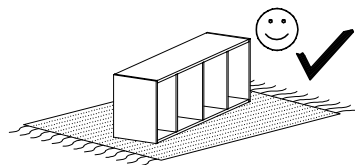
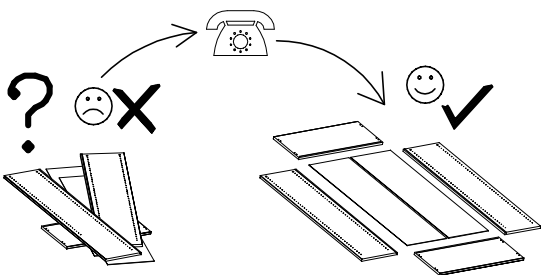
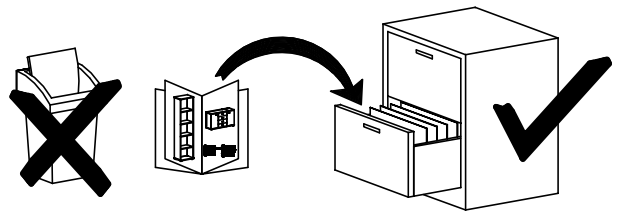
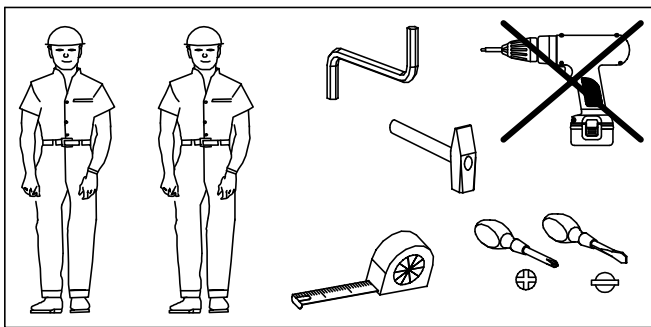
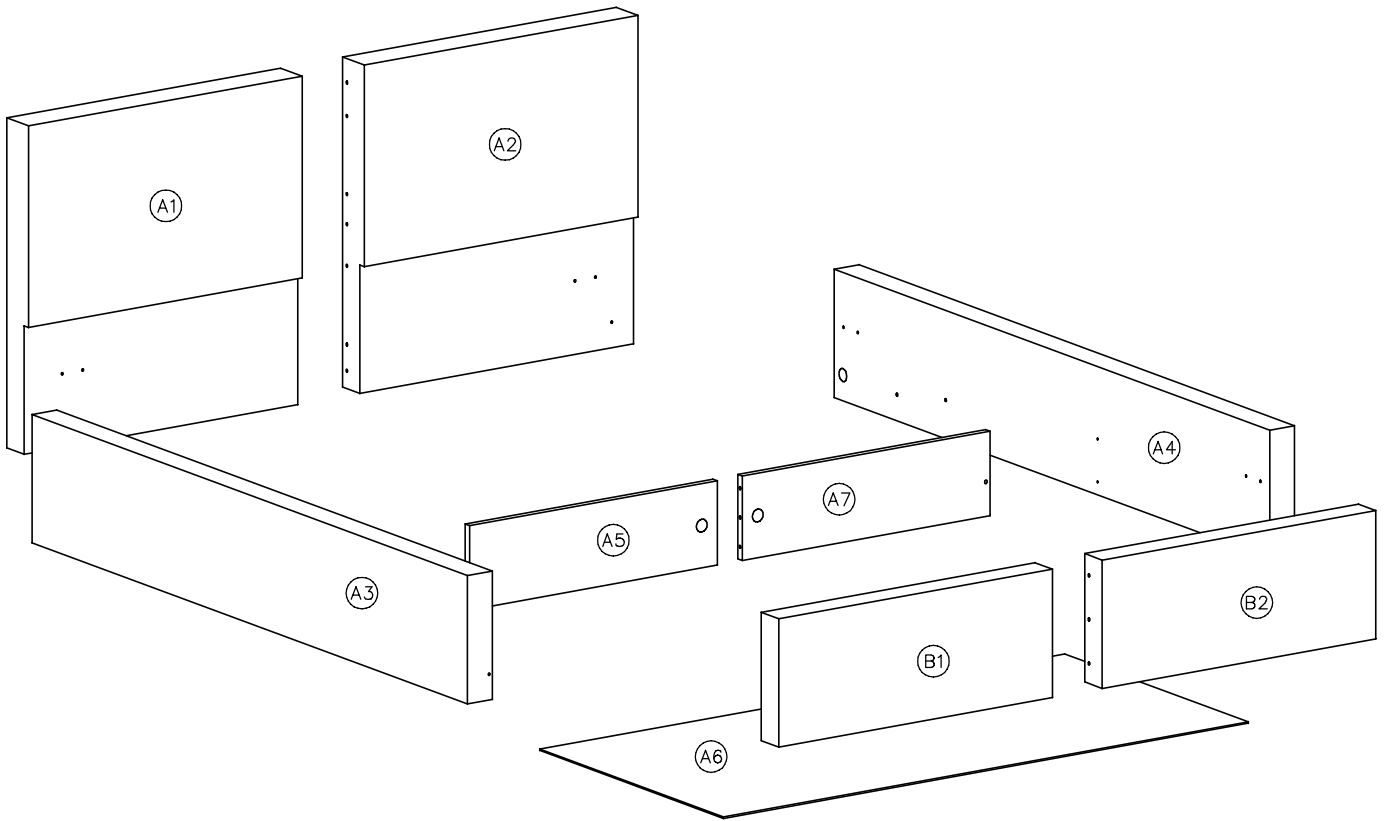
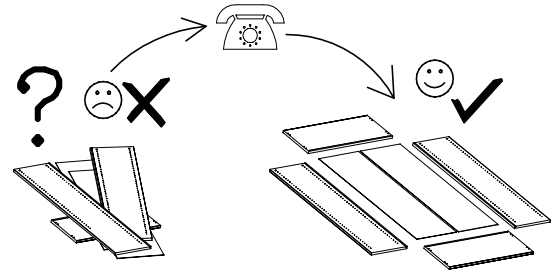
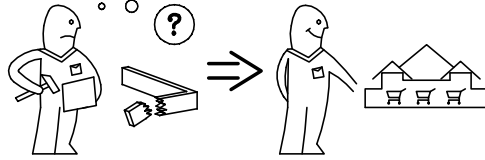
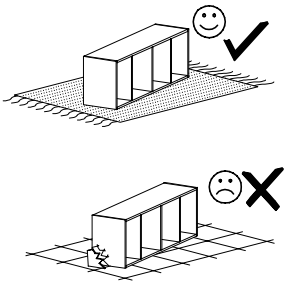
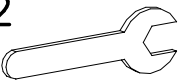


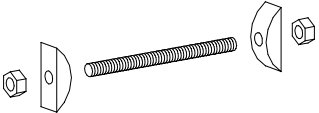
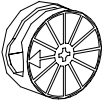
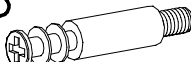
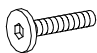
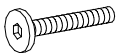

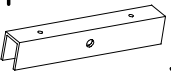
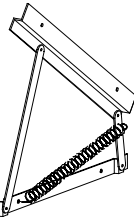
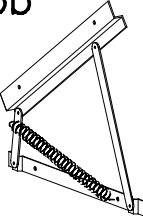
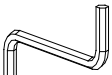

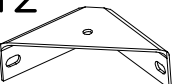
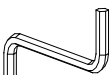

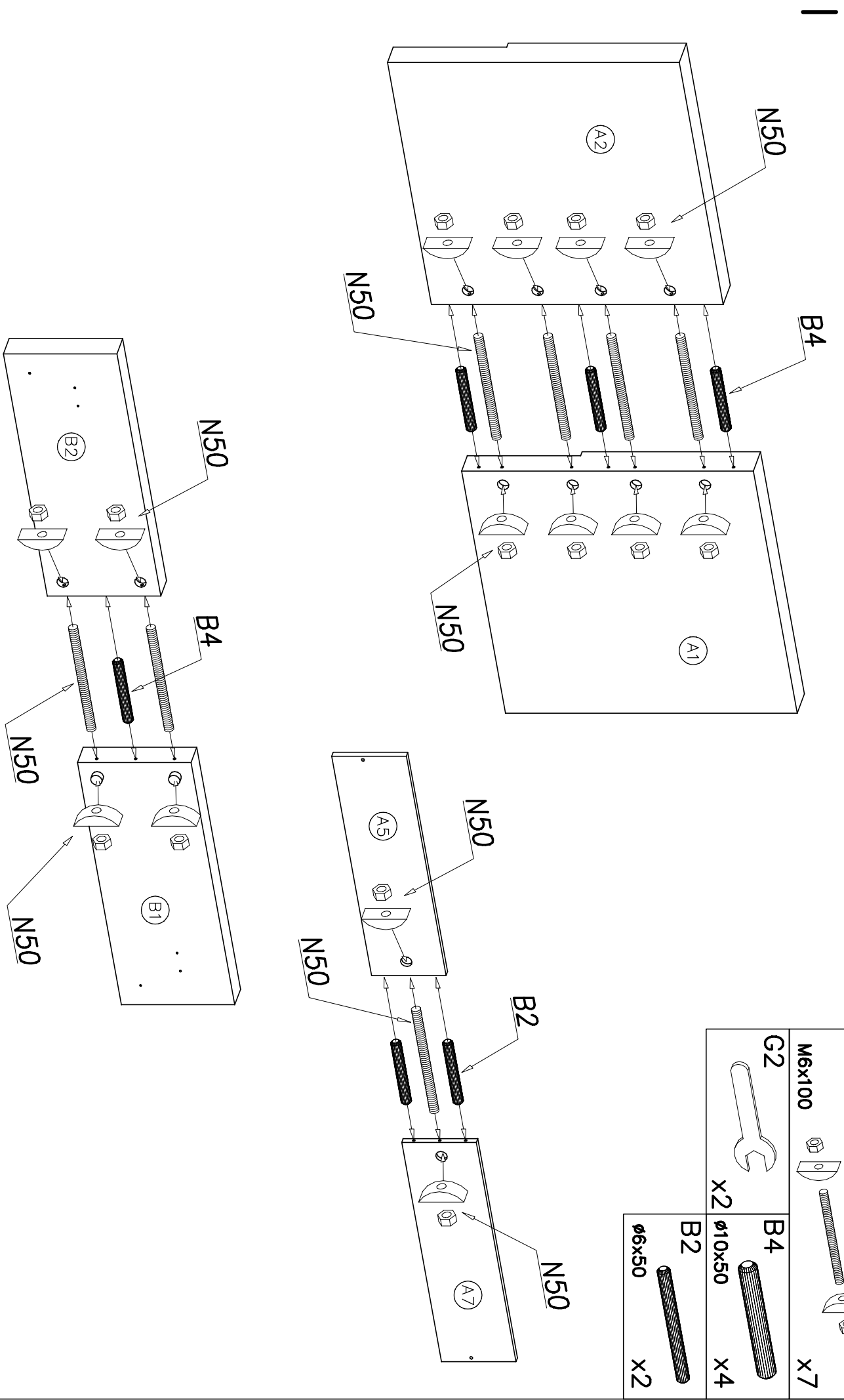


HILTON





G2  x2	B2  ø6x50 x2	B4  ø10x50 x4	N50  M6x100 x7	
K2  x4	K5  x4	N30  M6x15 x16	N40  M6x20 x4	J  x50
M14  x2	L3a  x1	L3b  x1	G  4mm x1	E  6x13 x4
M12  x4			G1  6mm x1	D  M6x15 9x11 x2


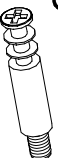
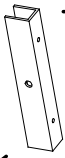



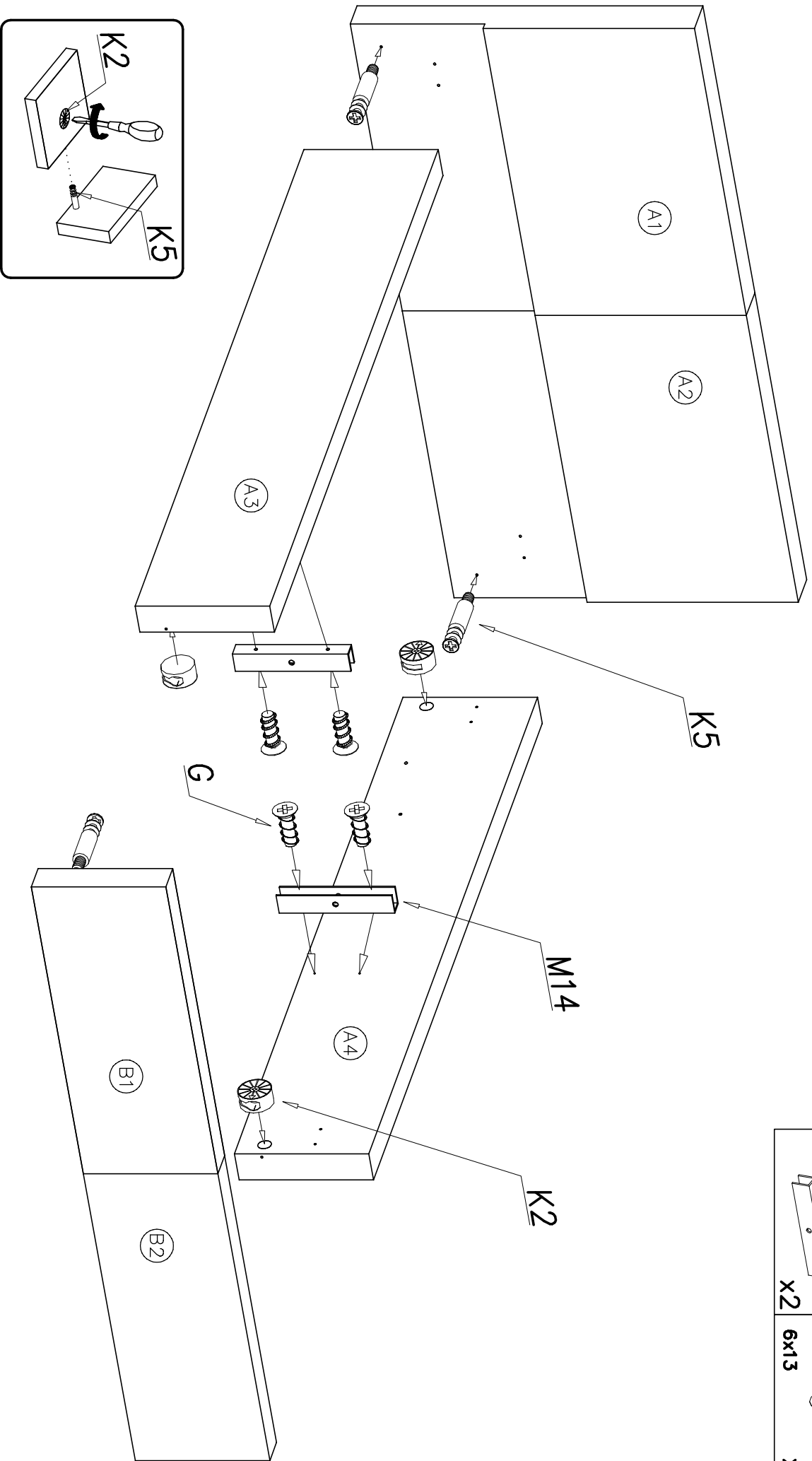
N50		x7
M6x100		

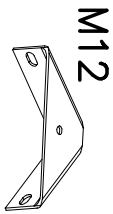
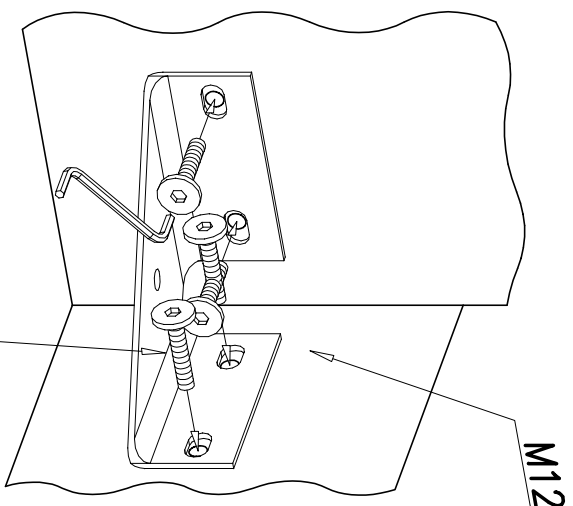
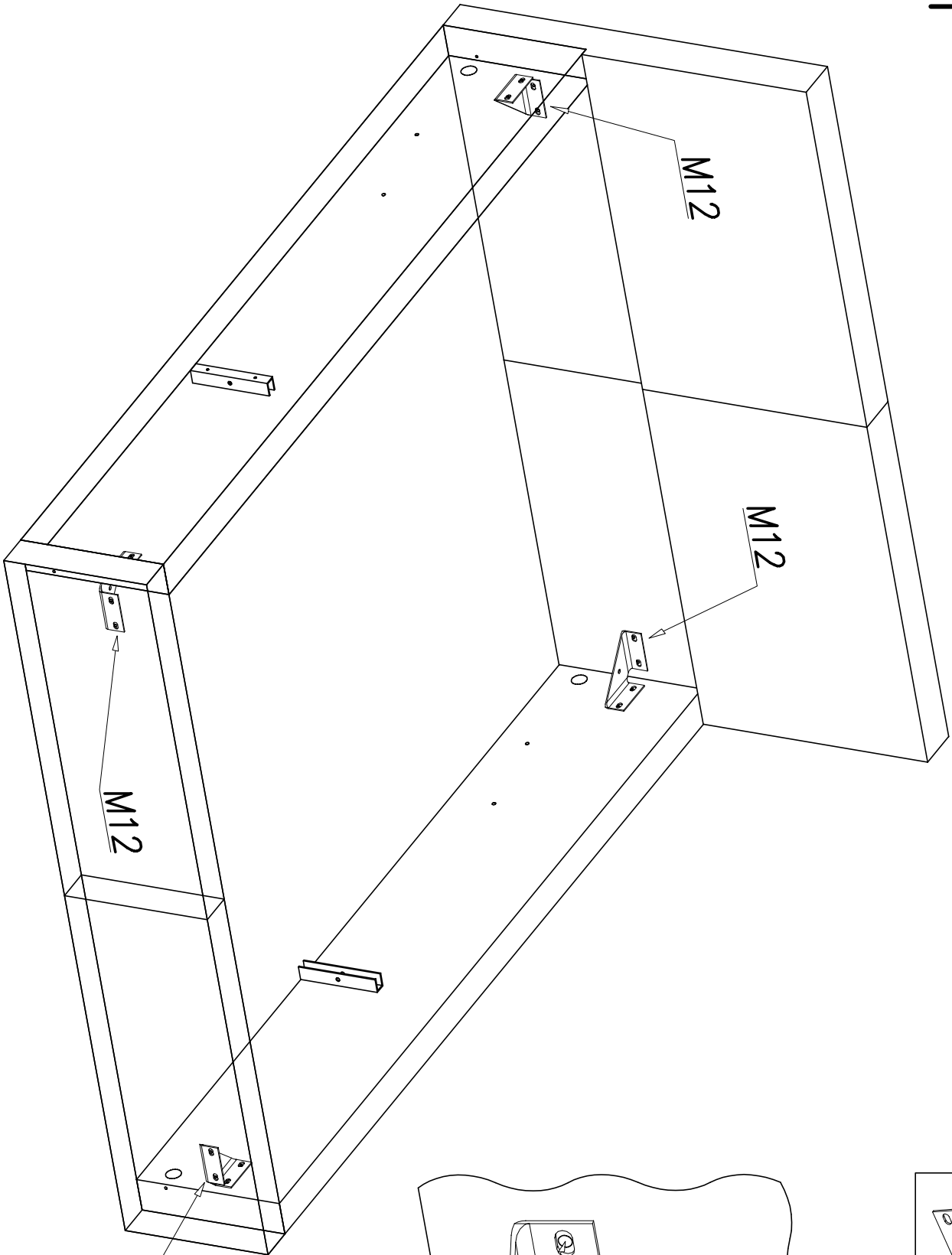
G2		
B4		x4

B2		x2
ø6x50		

||

K2		K5	
x4	x4	E	x4
M14		6x13	
x2	x2		x4





x4

M6x15



x16

M12

N30

M12

N30

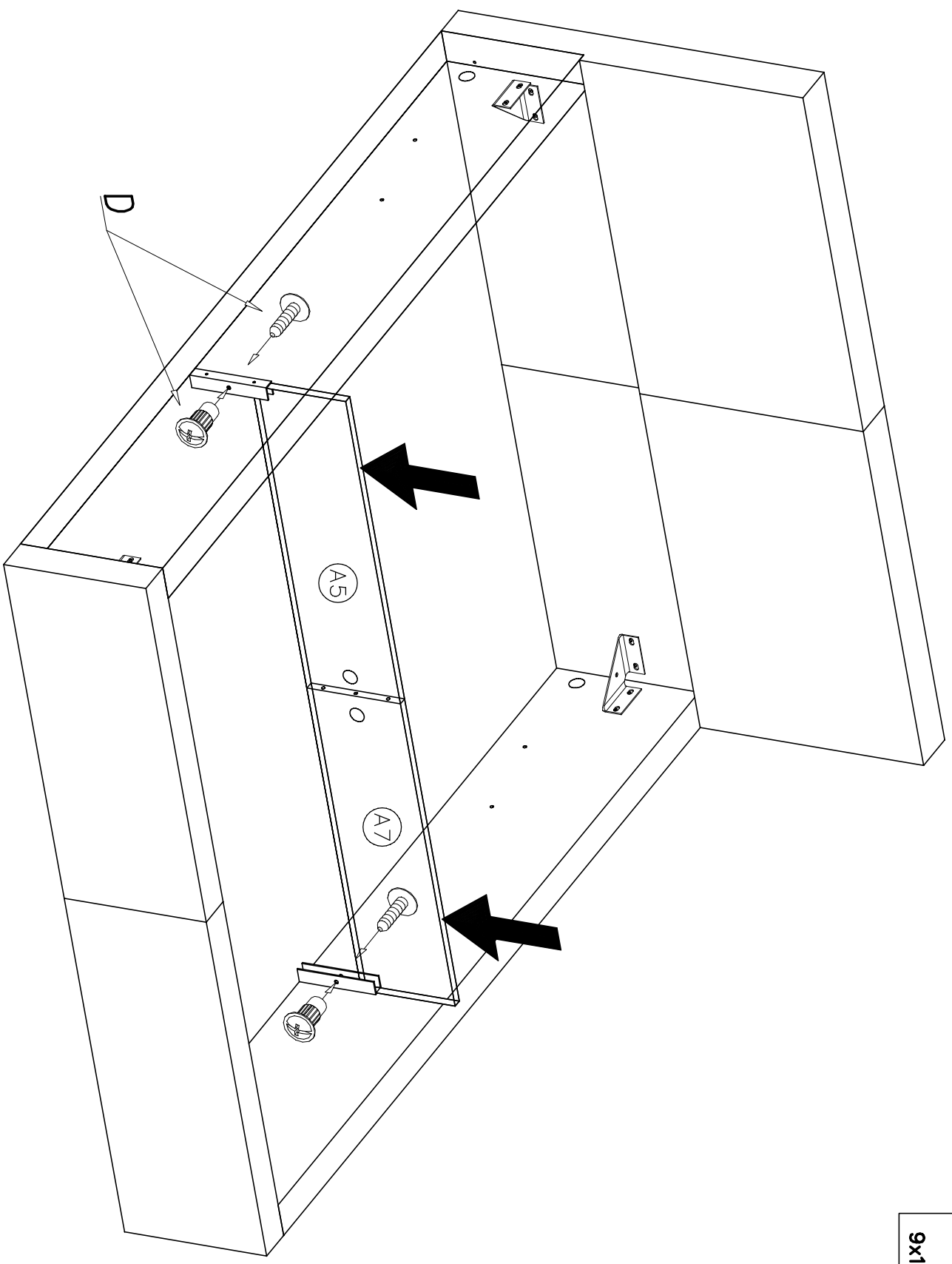
M12

M12

M12

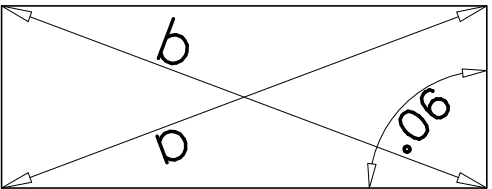
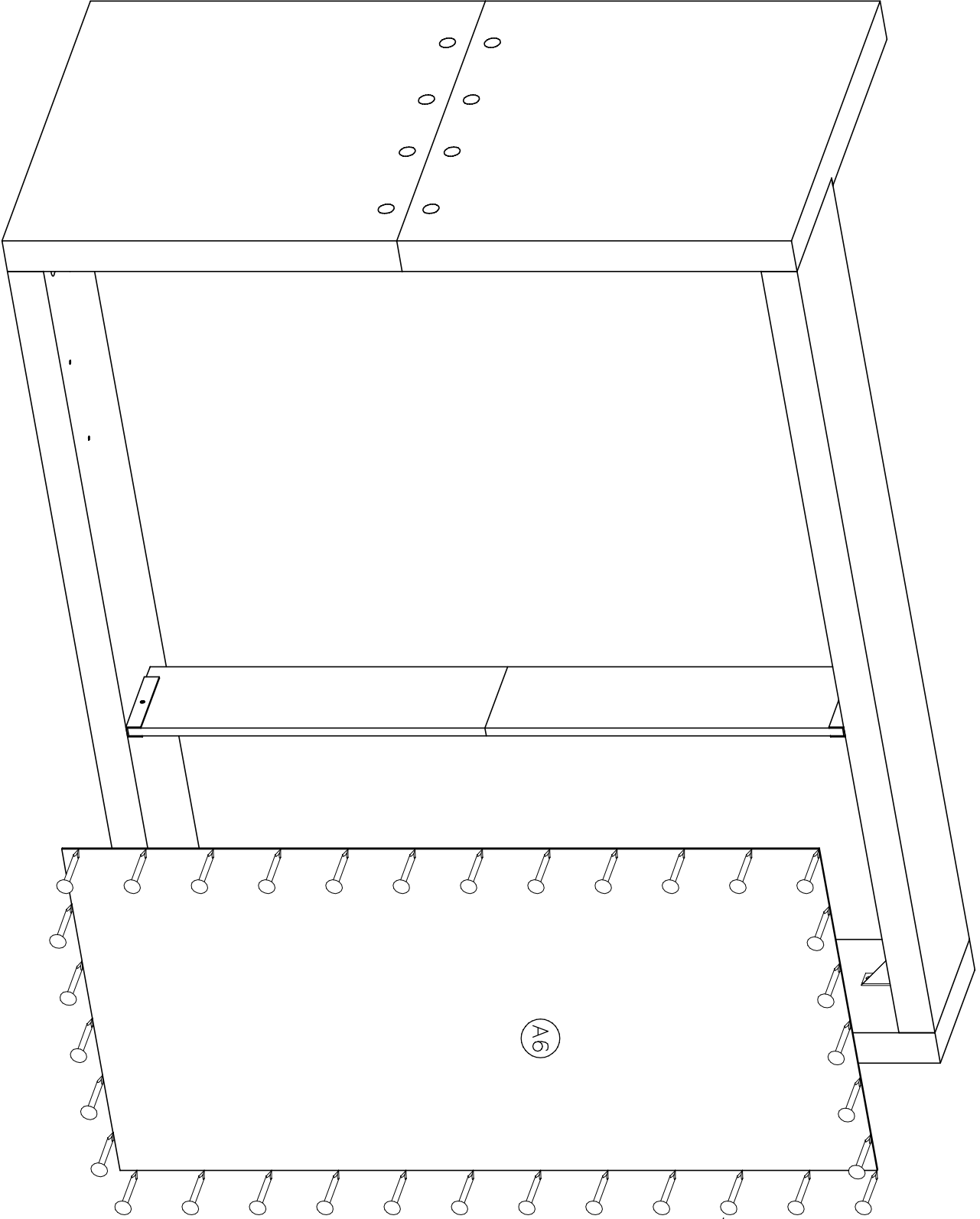
M12

IV

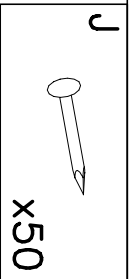


- D
- M6x15
- 9x11
- X2

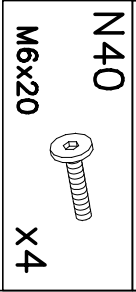
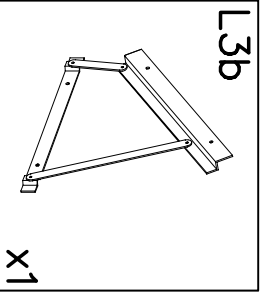
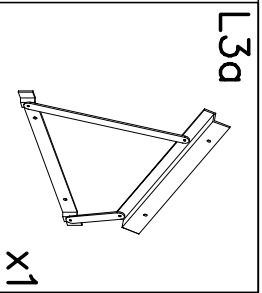
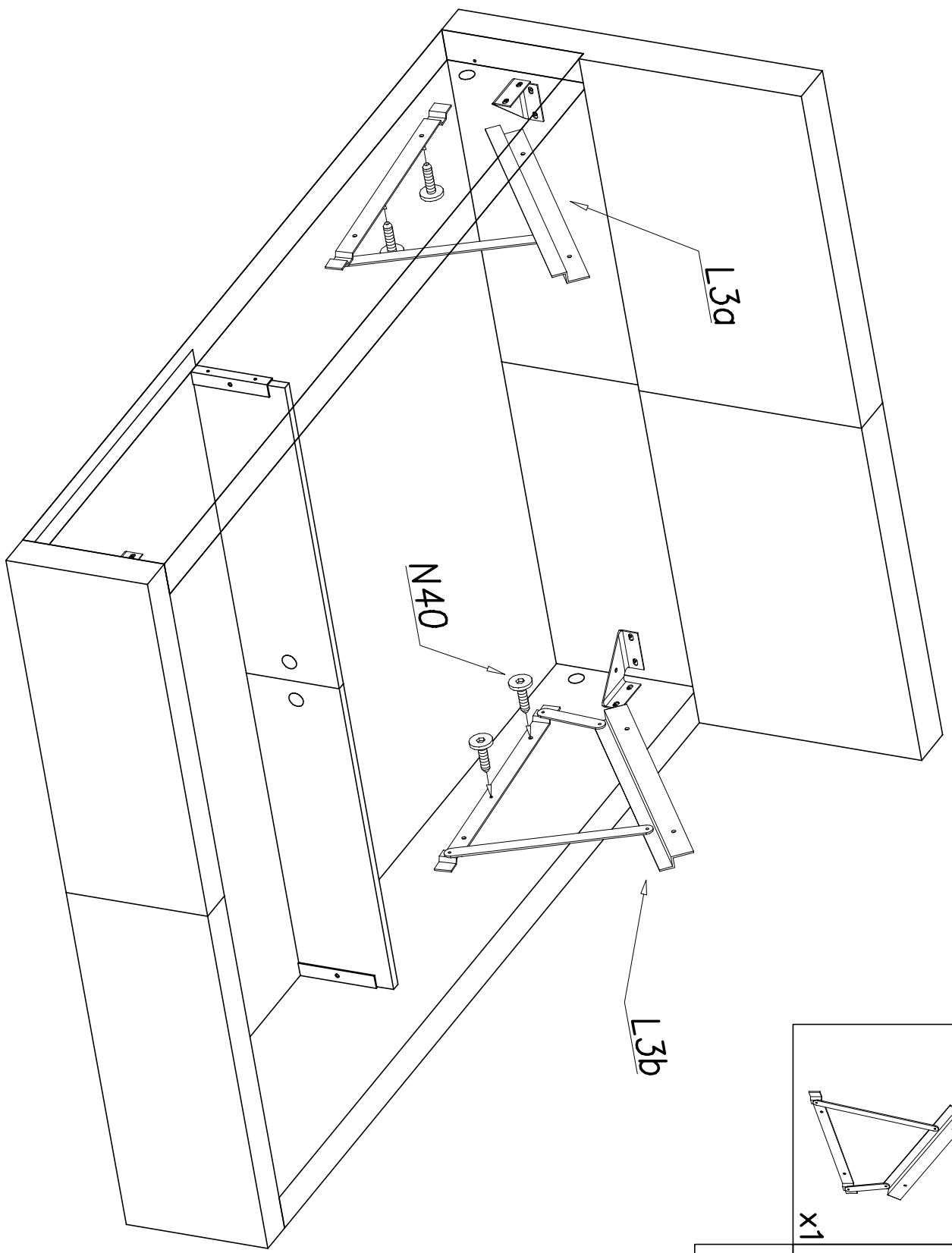
V



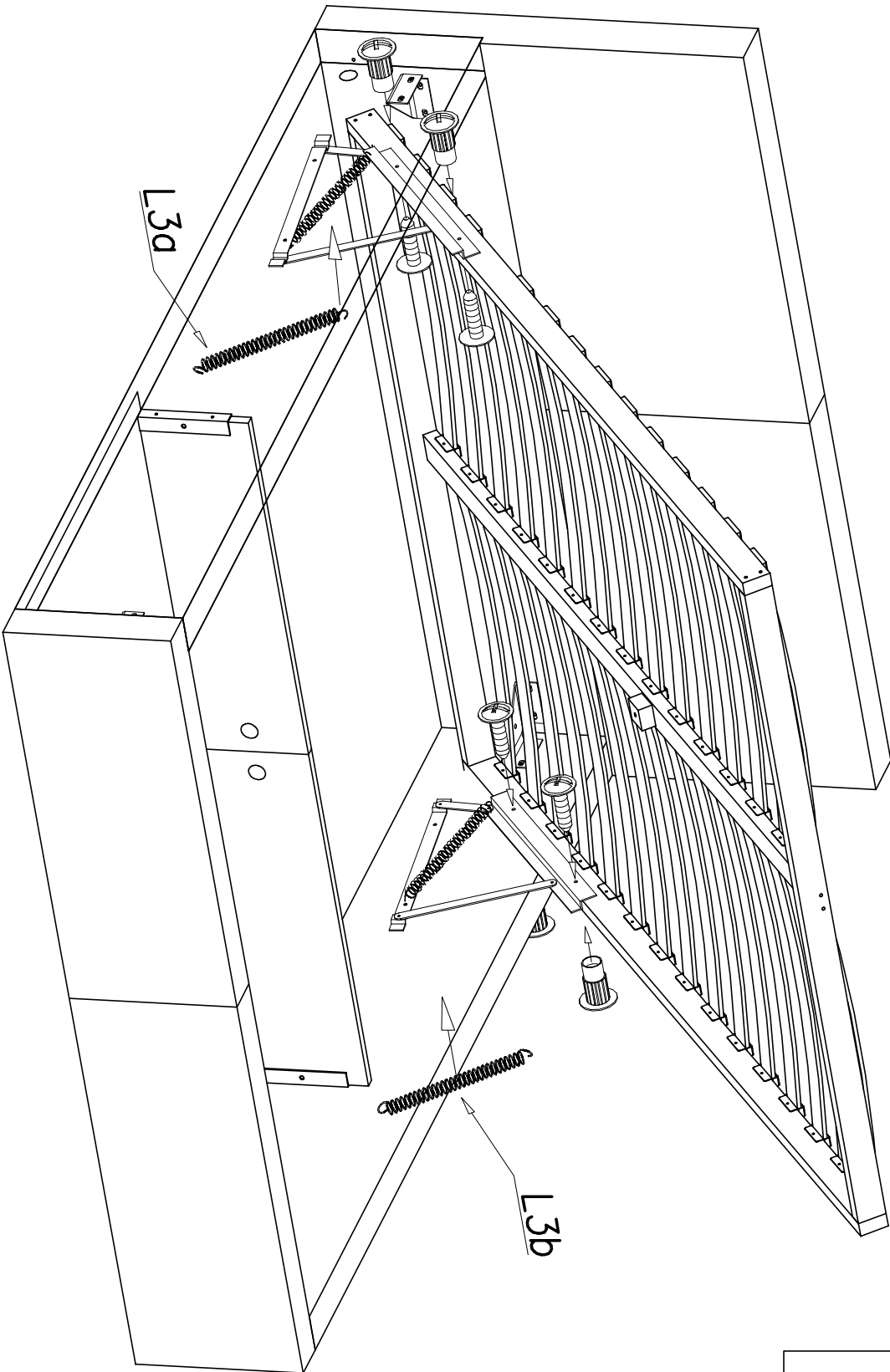
$a = b$



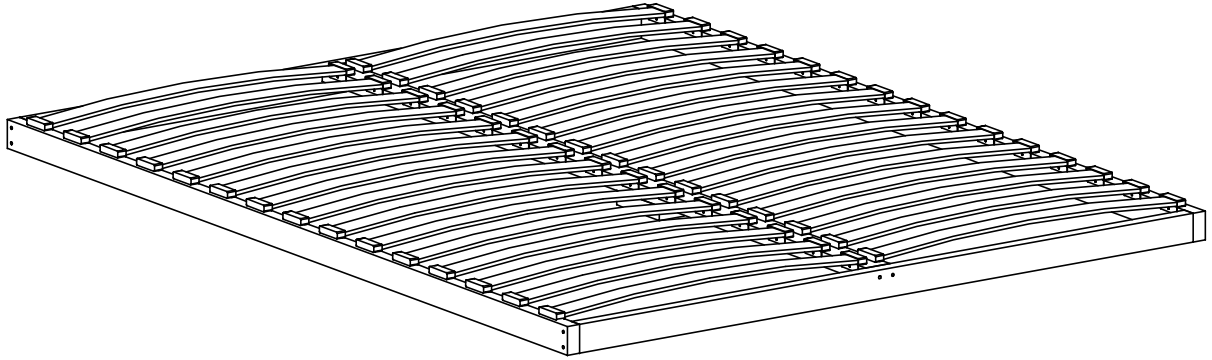
VI



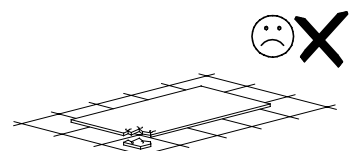
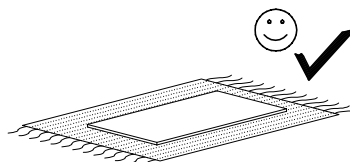
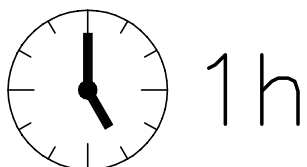
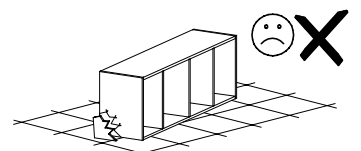
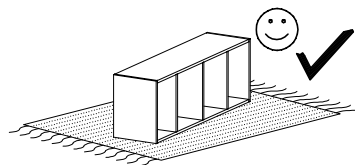
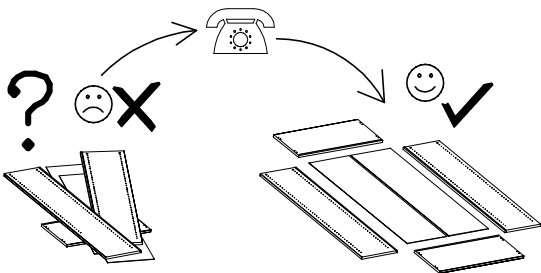
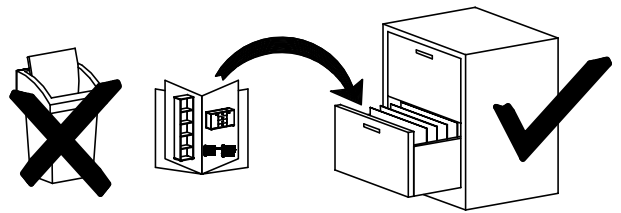
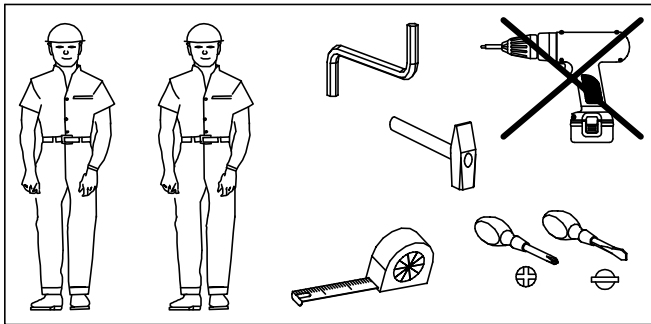
VII



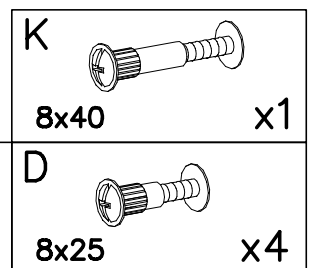
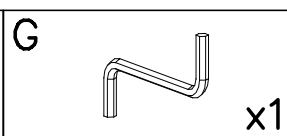
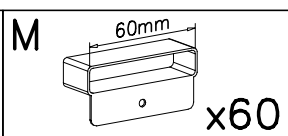
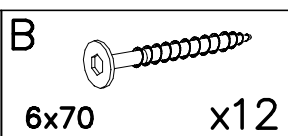
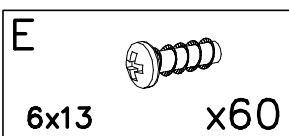
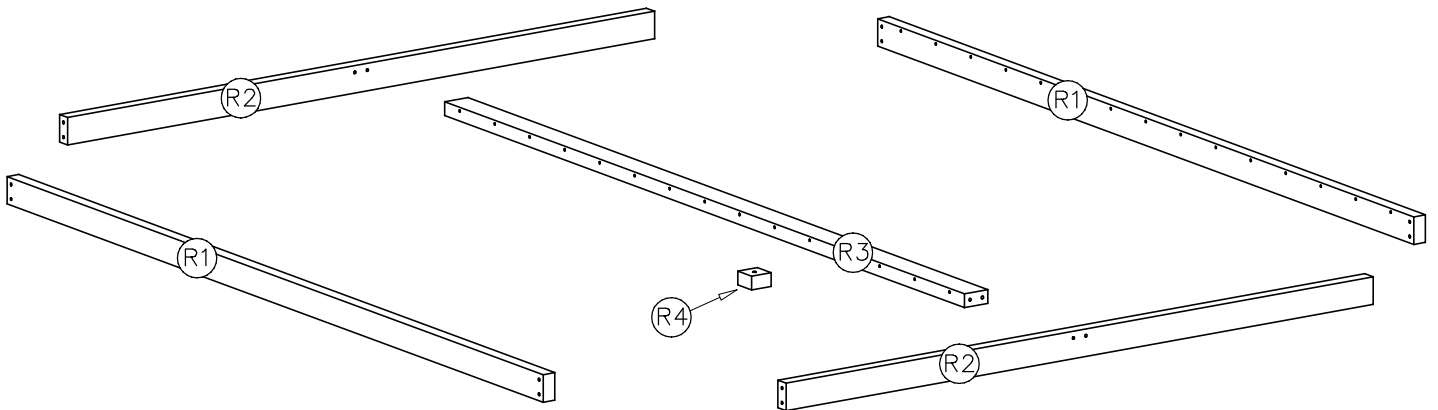
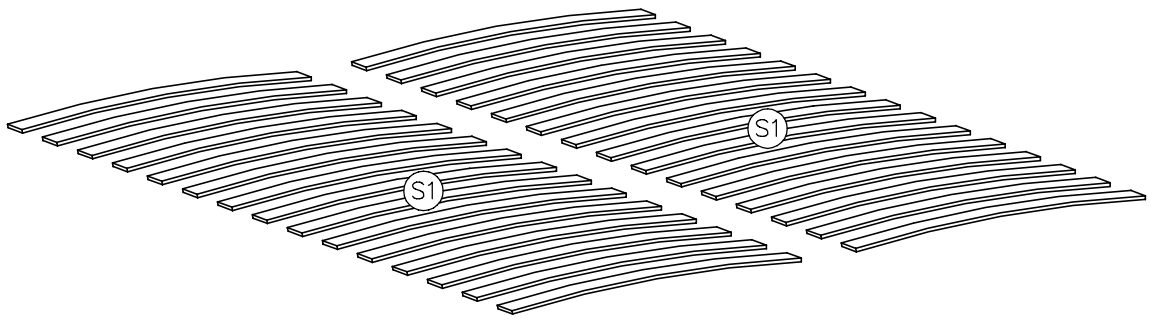
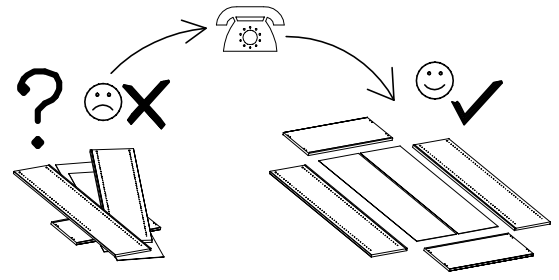
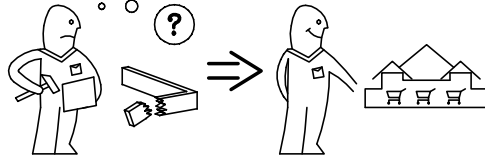
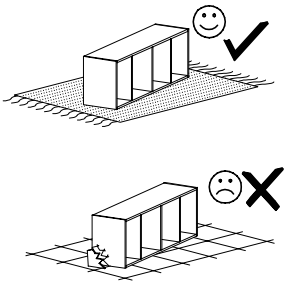
- L3a+L3b
- x2

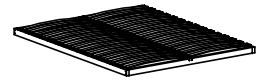


stelaż drewniany



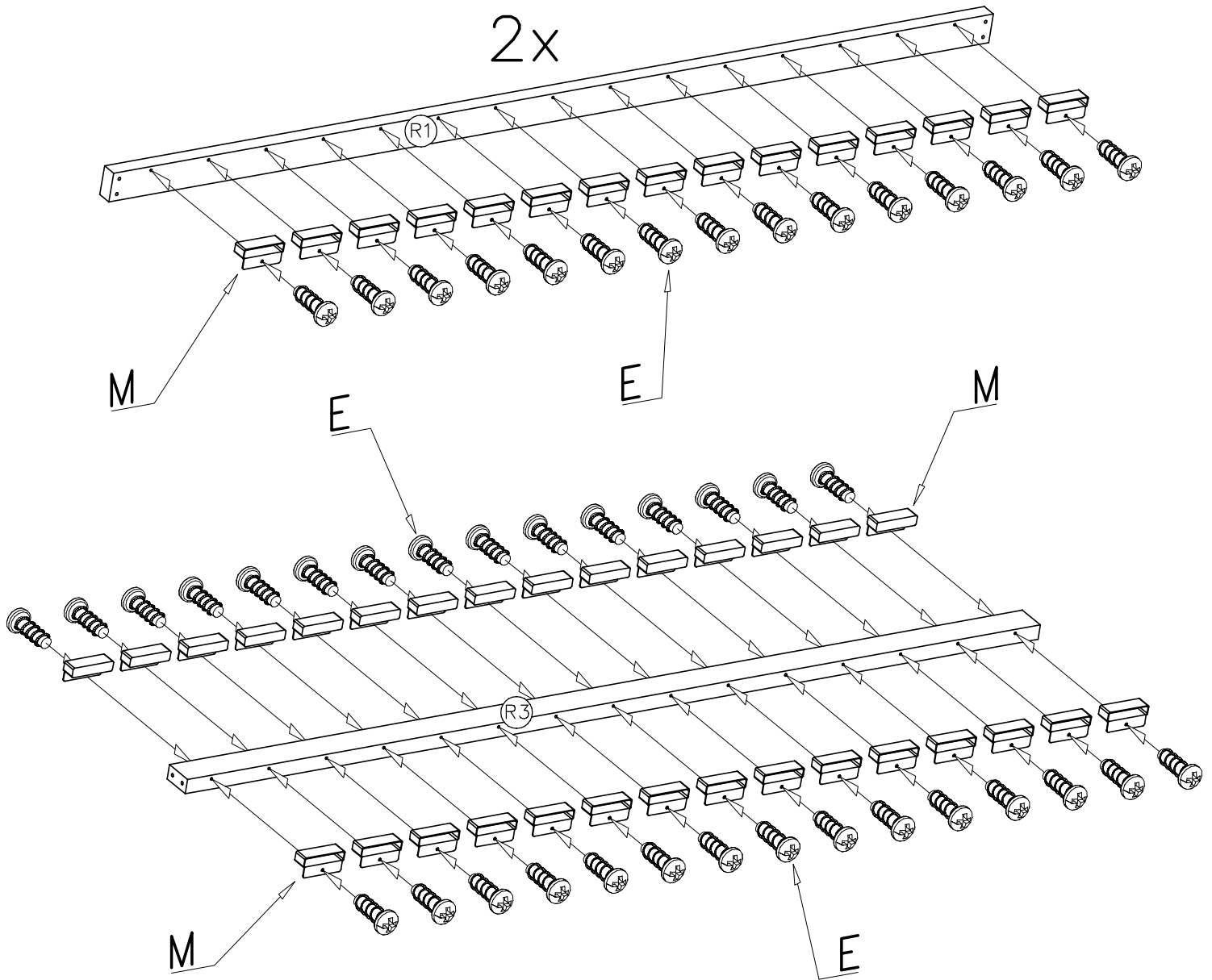
stelaż drewniany





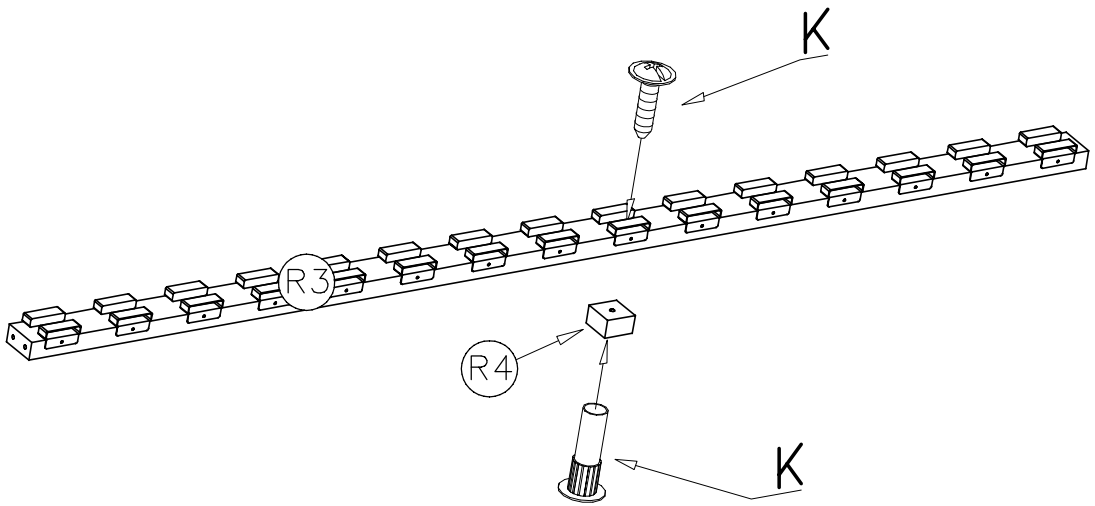
I

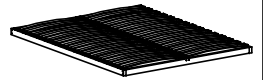
E		M	
6x13	x60	x60	x60



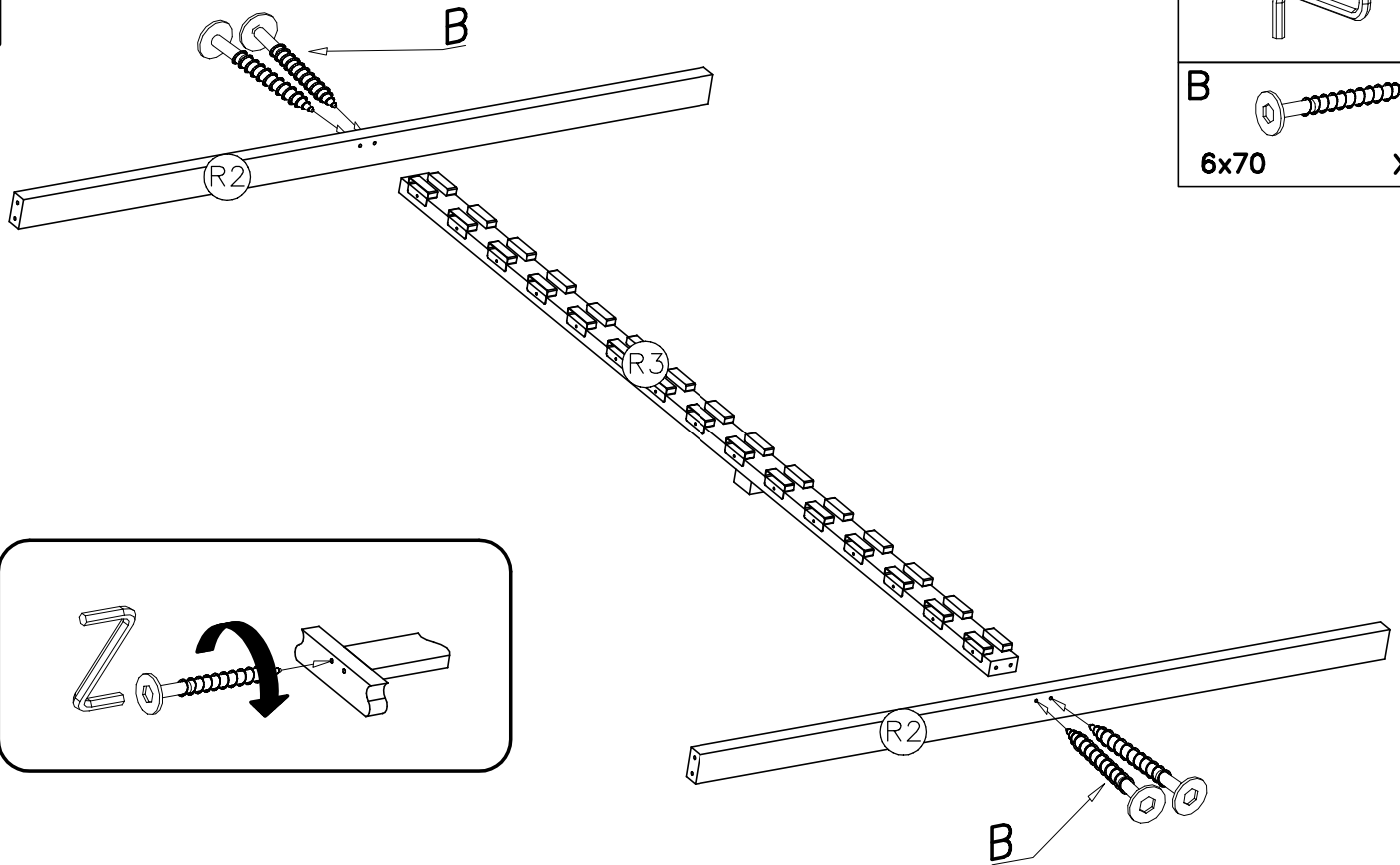
II

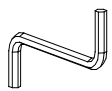

K	
8x40	x1



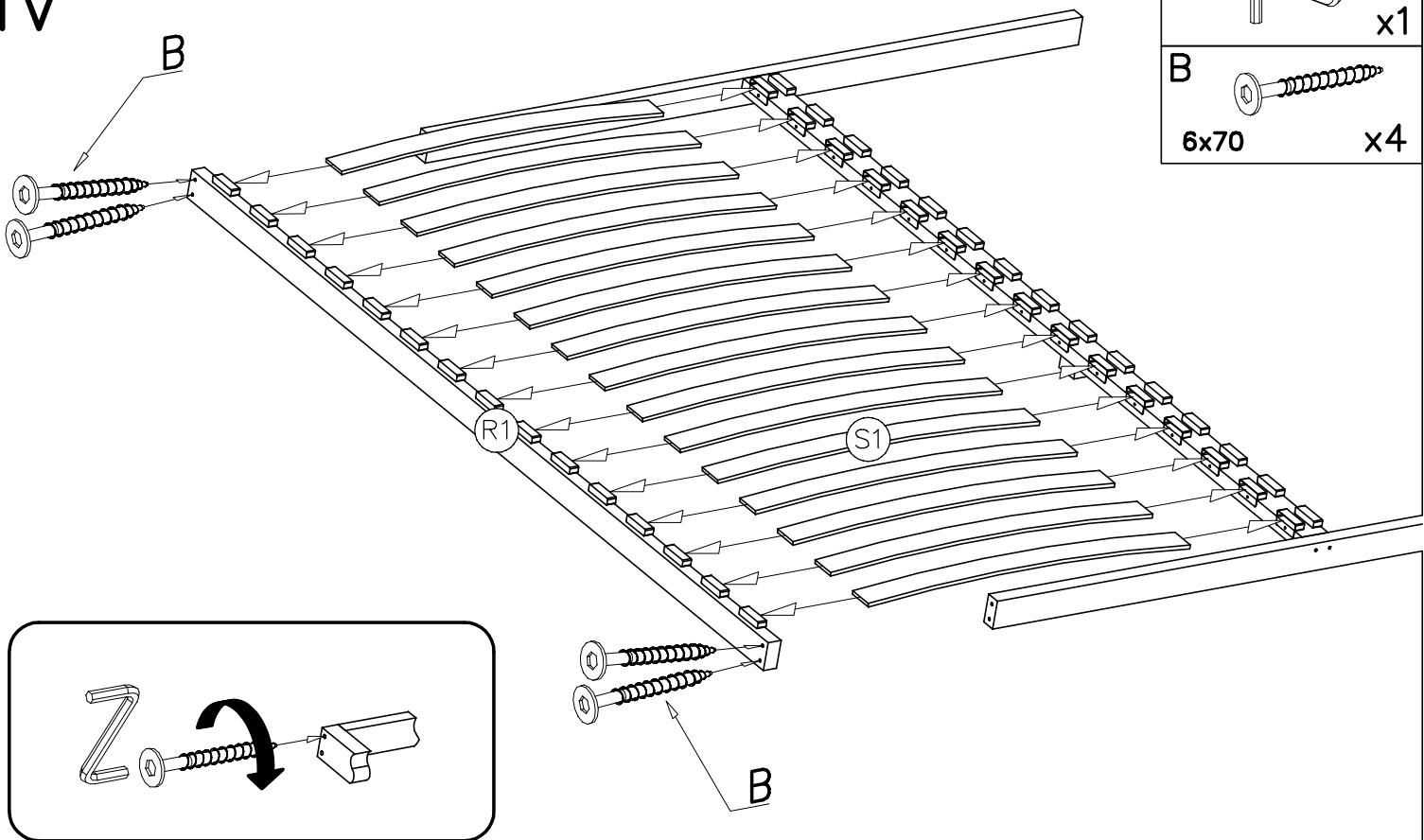


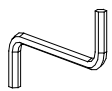
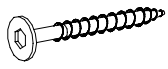
III

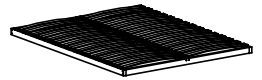


- G  x1
- B  x4
6x70

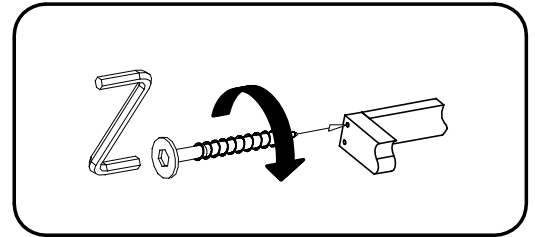
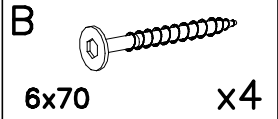
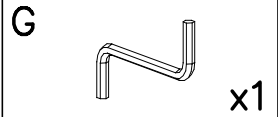
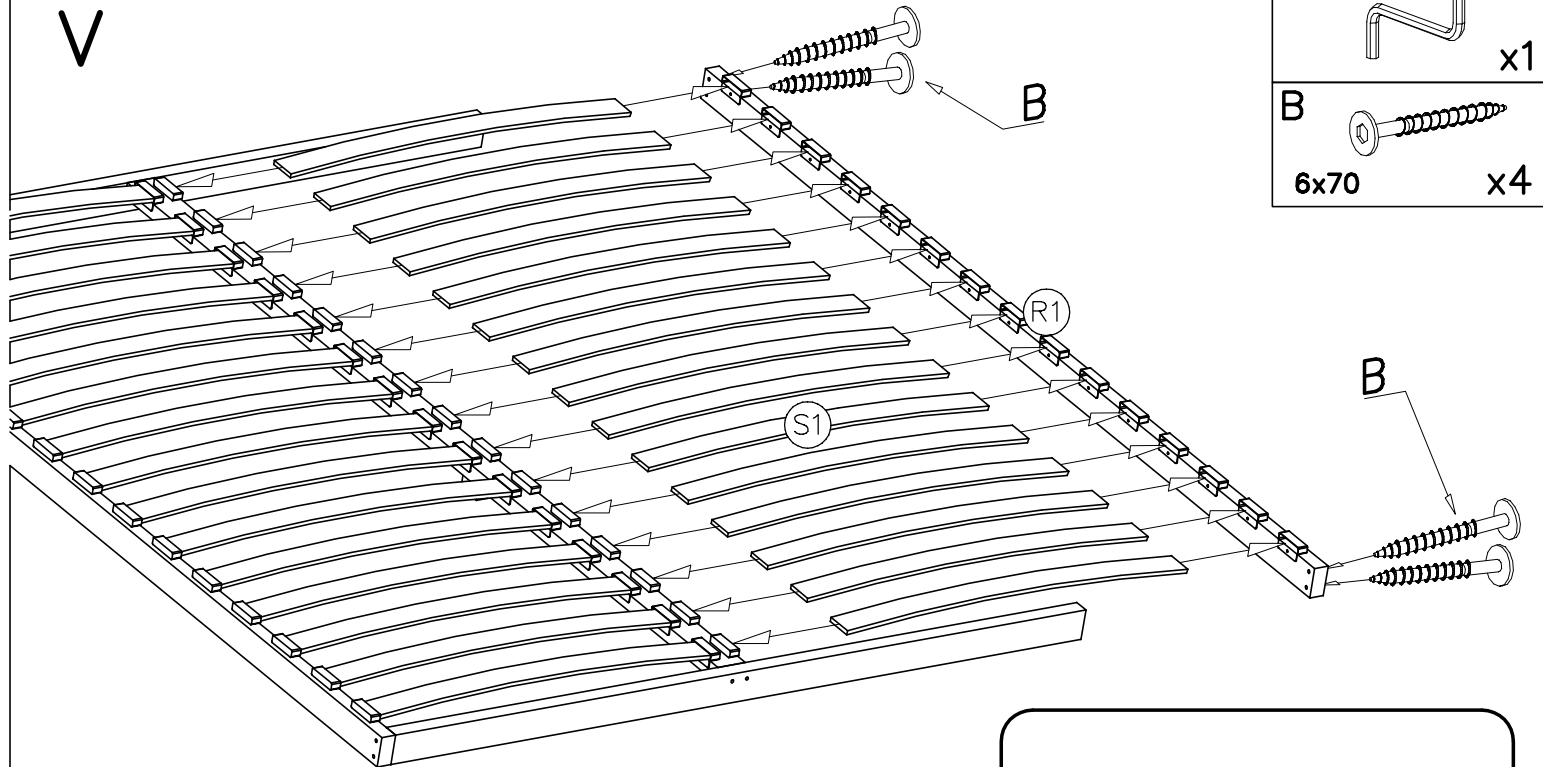
IV



- G  x1
- B  x4
6x70



V



VI

